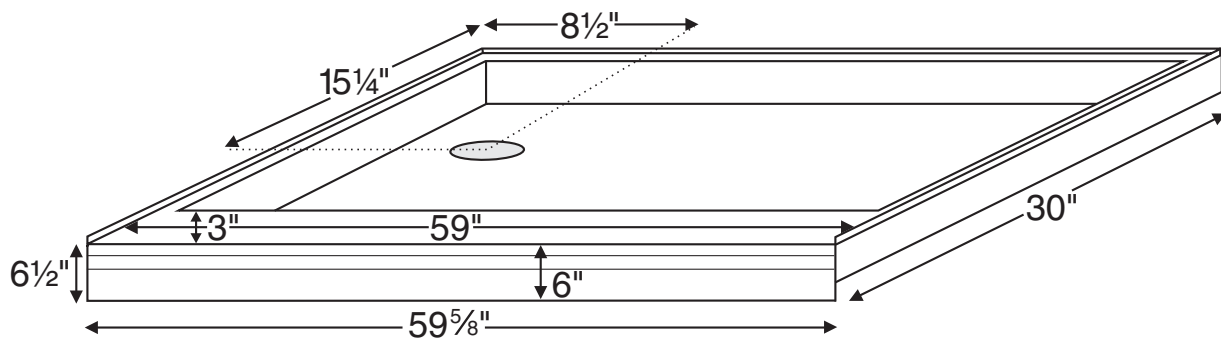


Reliance® Shower Bases

R6030ED

59.625" x 30" x 6"

Material - Acrylic
Shipping Weight - 80 lbs / 36 kg
Threshold - Single Threshold
Drain Location - End



COLOR AND FINISH OPTIONS

NOTE: Part codes for all options listed in parenthesis.

Color Upgrade: Biscuit (RCOLOR)

STANDARD OPTIONS

NOTE: Part codes for all options listed in parenthesis.

PVC Drain Kit

Brushed Nickel (RDKBN)

IMPORTANT ORDERING & INSTALLATION INFORMATION:

- Single, front threshold; 3.5" drain opening pre-drilled.
- Integral tile flange on 3 sides to facilitate installation.
- Textured bottom meets certification requirements for safer showering.
- Includes a PVC drain kit in chrome finish.
- 1-year Limited Residential and Commercial Warranty.
- Must specify left- or right-hand drain.

- Before discarding tub crate, check for accessories that may be packaged inside.
- All product measurements are $\pm 1/2"$.
- Specifications and configurations are subject to change without notice.
- Measurements herein supersede all others published prior to publication date below.

ASTM F-462-1994 Certified

CSA # MTSB-6030ED

©2021 by MTI Baths, Inc. Modification Rights Reserved

Reliance®

Rev. 06 17 2021